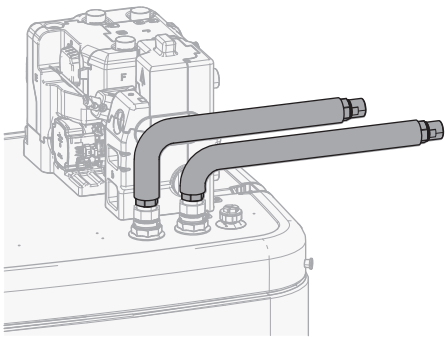




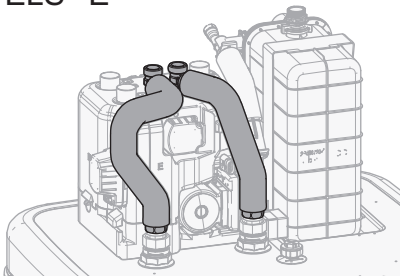
DAIKIN Altherma 3 H MT ECH₂O
ETS*12-E

DAIKIN Altherma 3 H HT ECH₂O
ETS*16-E(7)

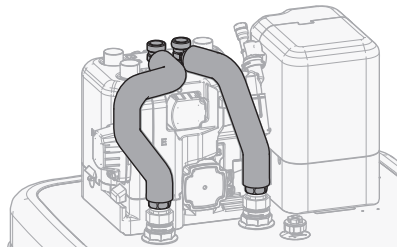


DAIKIN Altherma 3 R ECH₂O
EBS*-D

DAIKIN Altherma 3 R MT ECH₂O
ELS*-E



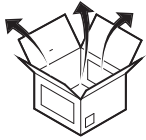
DAIKIN Altherma 3 R ECH₂O
EHS*-E



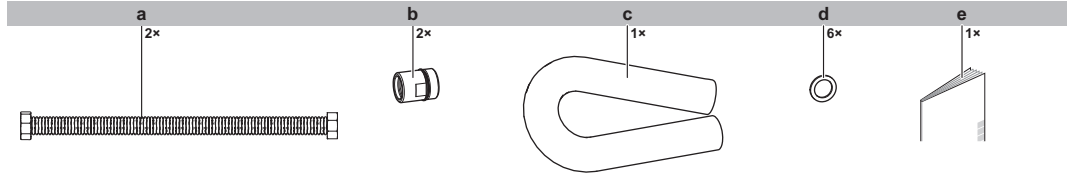
EKECBIVCO1A*
EKECBIVCO2A*



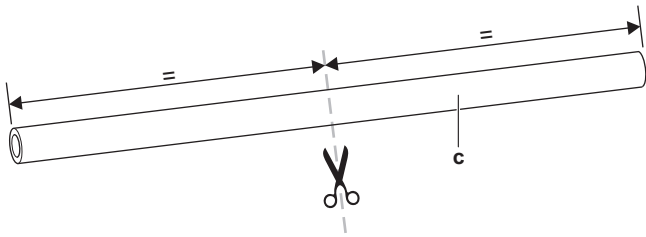
[EKECBIVCO1AF]



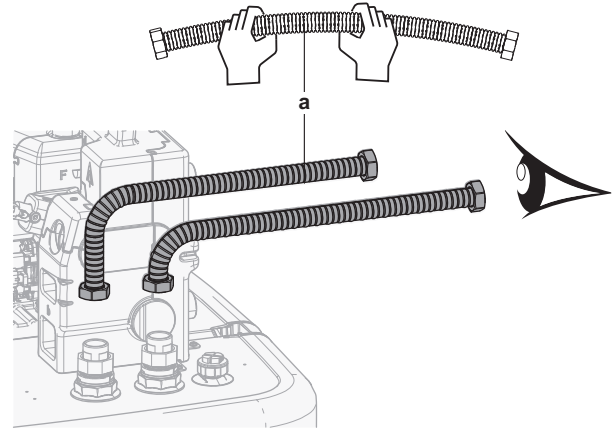
EKECBIVCO1A*



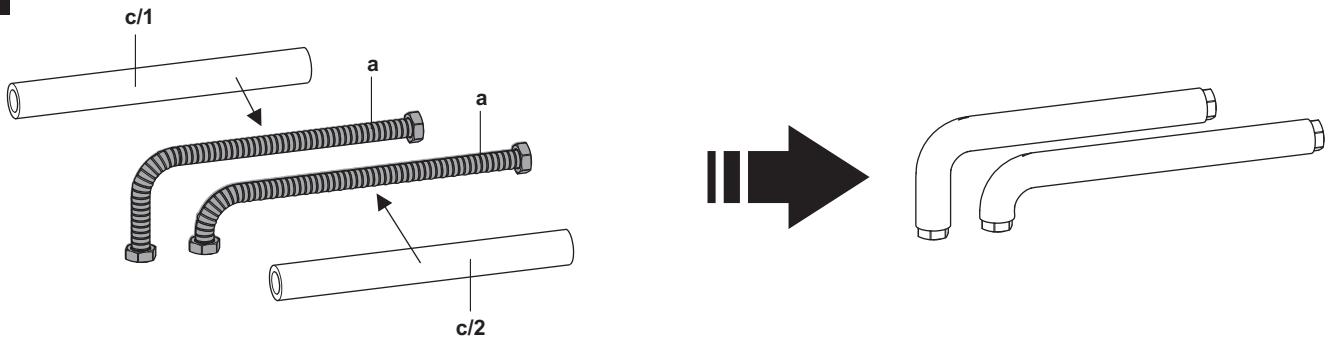
1.1



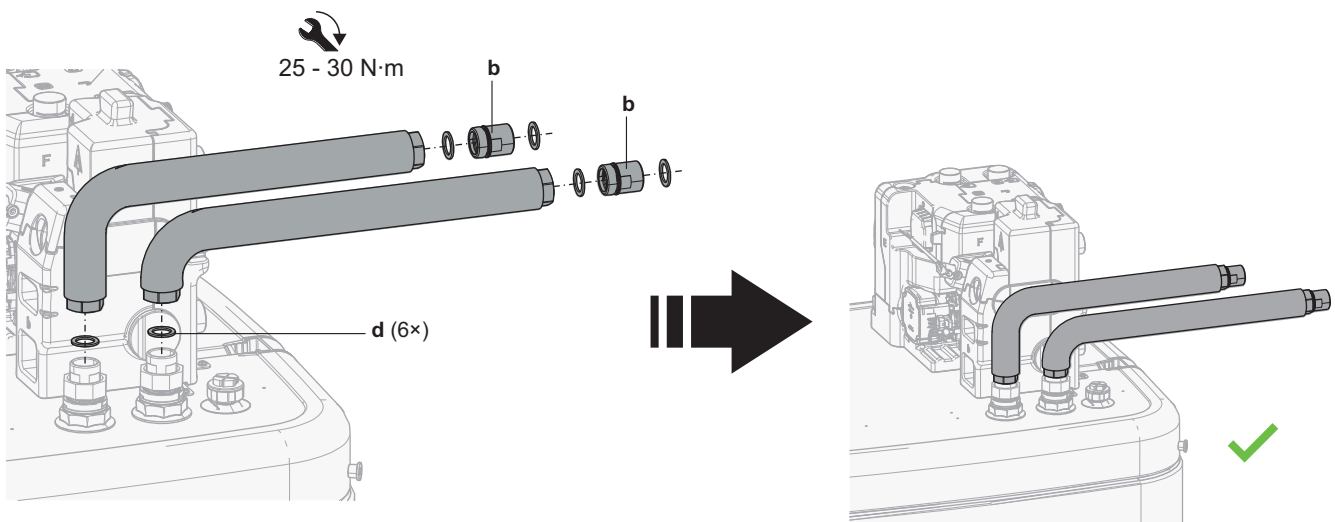
1.2



1.3



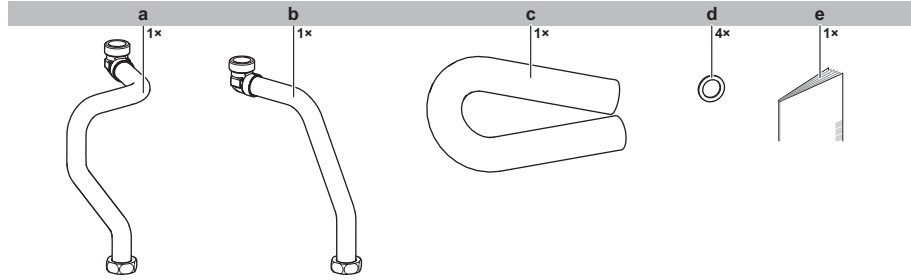
1.4



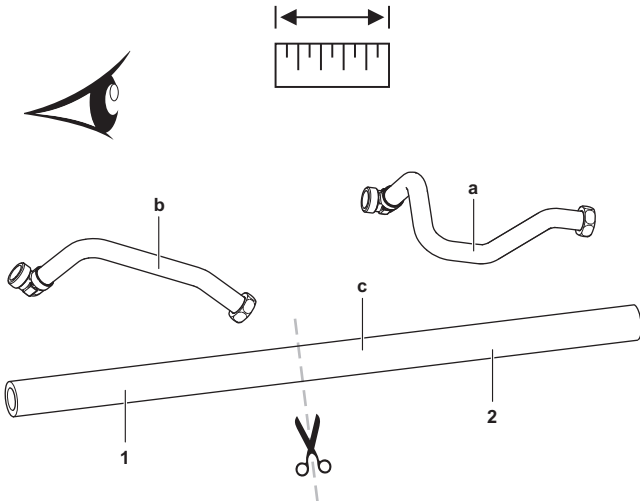
DAIKIN Altherma 3 H MT ECH₂O - ETS*12-E /
 DAIKIN Altherma 3 H HT ECH₂O - ETS*16-E(7)
 +
 EKECBIVCO1A*



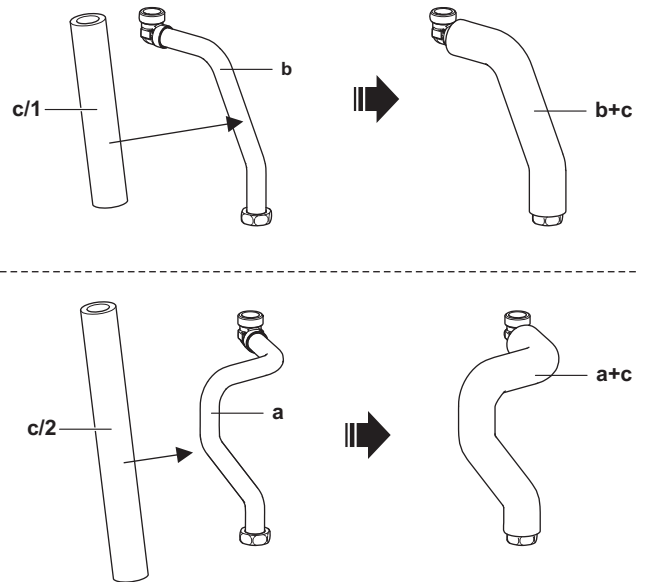
EKECBIVCO2A*



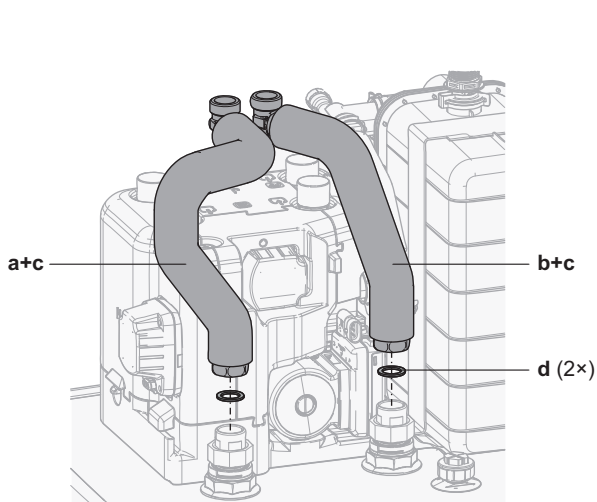
2.1



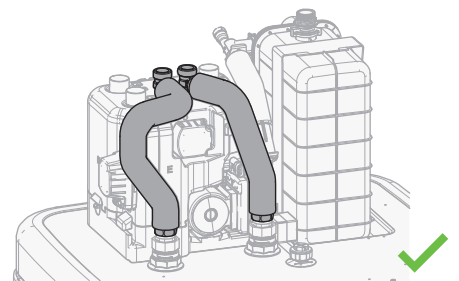
2.2



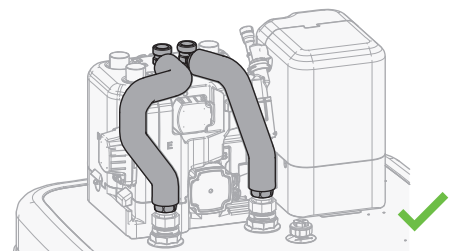
2.3



25 - 30 N·m



DAIKIN Altherma 3 R ECH₂O - EBS*-D /
DAIKIN Altherma 3 R MT ECH₂O - ELS*-E
+
EKECBIVCO2A*



DAIKIN Altherma 3 R ECH₂O - EHS*-E
+
EKECBIVCO2A*



[EKECBIVCO*AF]

DAIKIN EUROPE N.V.

Zandvoordestraat 300, B-8400 Oostende, Belgium

4P685096-1A 01/2023

Copyright © Daikin